

Maxim III

Marking Window
100mm x 75mm

Component heights up to
200mm

Entry-level bench-top dot marking machine, ideal for simple one-off and batch marking on most metals.

The Maxim III is well established as the entry-level marking solution for many aerospace and automotive applications requiring the precise application of human-readable text, 2D codes, and logos onto components of all shapes and sizes.

The standard "LCD" version comes with an embedded controller, whereas the "USB" version gives the option to connect the Maxim III to a PC and use our marking and traceability software.



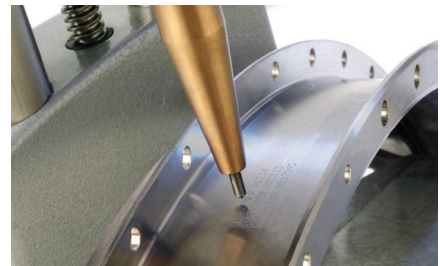
Maxim III LCD



Maxim III USB



Maxim III
with Automatic
Tag Feeder



STANDARD FEATURES

- 4000 series controller
- 100mm x 75mm marking window
- Manual Z-axis adjustment
- Large capacity memory for layout storage
- 5 x 7, 7 x 9, Varidot fonts with LCD
- True type fonts, DXF, HPGL fonts with USB (in addition to LCD fonts)
- Variable marking speed
- "Plug & Play"
- Multilingual user interface

APPLICATIONS

- Batch marking of components
- Serial number plates
- Date codes
- Logos, company names
- CE & specification marking
- Human readable text
- Data matrix codes (2D codes)
- Component identification and traceability

OPTIONAL VERSIONS

Benefits / Requirements

PC-based software control,
USB controller

Drag-and-drop editor, Windows-based software. Note that LCD-embedded controller is not supplied with this option. Control is only via PC.

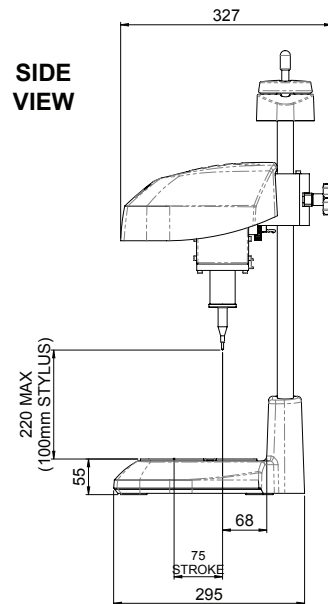
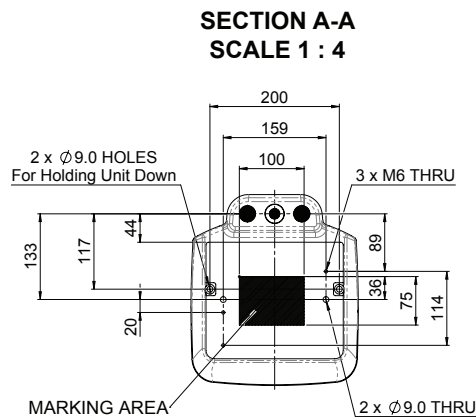
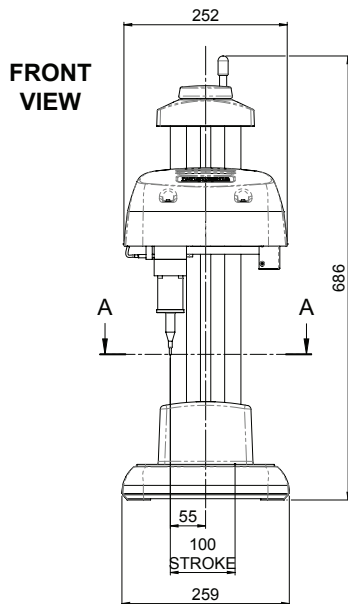
Alternate nosepiece/stylus

Wider / shallower tip angle, longer reach versions available

Column extension

410mm max component height instead of standard 200mm

TECHNICAL DATA		<ul style="list-style-type: none"> ● Standard ○ Optional 	
Marking area	100mm x 75mm; 200mm max component height 100mm x 75mm; 410mm max component height	<ul style="list-style-type: none"> ● ○ 	
Weight	Maxim III = 13kg; with 4000 controller = 18kg Maxim III = 13kg; with USB controller = 15.5kg	<ul style="list-style-type: none"> ● ○ 	
Dimensions	W: 259mm, H: 686mm, D: 327mm	<ul style="list-style-type: none"> ● 	
Nosepiece and stylus	Electric solenoid – 100mm long, 4mm diameter, 90° stylus tip, carbide Various alternatives available	<ul style="list-style-type: none"> ● ○ 	
Controller/supply requirements	Controller 4000 USB-PC Additional air for Pneumatic Additional air for Vibro peen	Supply requirements 230V 50Hz / 110V 60Hz 230V 50Hz / 110V 60Hz 6 bar (87psi) non-lubricated, dry 6 bar (87psi) non-lubricated, dry	<ul style="list-style-type: none"> ● ○ ○ ○
Construction	Aluminium base and column, metal internals, plastic cover	<ul style="list-style-type: none"> ● 	
Operating temperature	0°C - 80°C (32°F - 176°F)	<ul style="list-style-type: none"> ● 	
Workpiece hardness	Max. 62 HRC (800HV)	<ul style="list-style-type: none"> ● 	
Marking type	5x7, 7x9, Varidot, HPGL, BMP Logos, True Type Fonts, Data Matrix	<ul style="list-style-type: none"> ● 	
Character sizes	0.18mm - 99.9mm in 0.18mm increments	<ul style="list-style-type: none"> ● 	



COMPATIBLE ACCESSORIES

Description

T-slotted base	For attaching fixtures to the base; extruded aluminium 45mm pitch
Single label fixture	For right angled labels/parts 35-100mm x 20-75mm x 0.5-2.0mm
Magnetic clamp	For flat parts. Area 184mm x 100mm. Holding force 80N/cm ²
Magnetic V-shaped clamp	Cylindrical parts diameters 5-70mm, includes machine base adaptor
Circumferential axis – standard	Marking round circumference, part diameter up to 76mm, with homing sensor
Automatic tag feeder	For flat, burr free labels 25-110mm x 25-75mm x 0.8-3.0mm thick
Barcode reader	RS232 barcode scanner to select program
Foot switch	Starts the marking cycle. Requires I/O card in the controller. LCD only