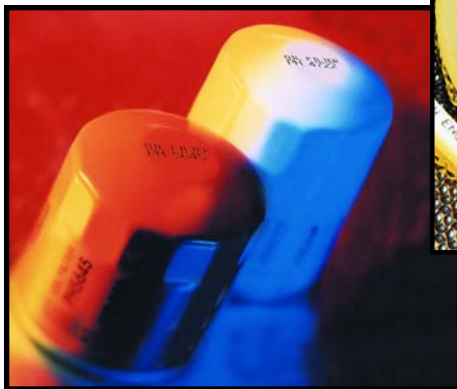


We Build Confidence... In Small Character Pigmented Ink Jet Printing

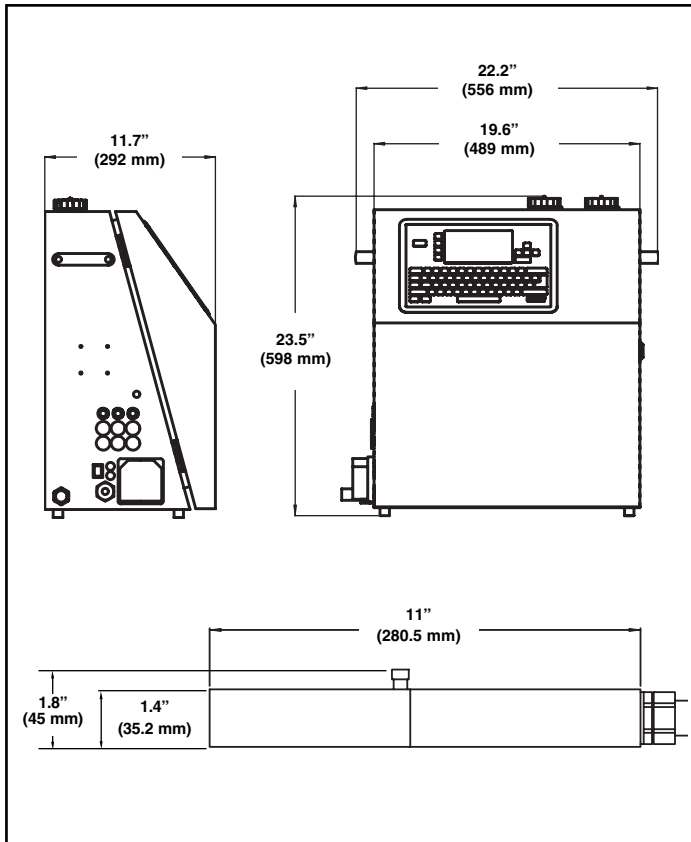
Designed specifically for printing with pigmented inks, the Videojet® 46p ink jet printer raises the standard for printing onto dark surfaces like cables, extruded plastics and automotive components.

- *Airless operation with long life pump guaranteed for one year*
- *Up to 4 lines of print*
- *Push button start / stop with automatic printhead flushing*
- *Positive printhead air*
- *Cable and wire industry-specific software*
- *Inks include white, yellow, black and blue, PVC-specific and UV cure black*
- *Fully compatible with Connector software*



Get confident. Contact us today.

Dimensions



Specifications

Standard Features

- Up to 4 lines of code
- Automatic printhead flushing during start up and shut down
- Local language message editing and display
- Low solvent consumption
- IP54 stainless steel enclosure
- Shift coding
- Maintenance due indicator
- Simple WYSIWYG message creation
- Logo and graphics creation
- Password protection system
- Serializer
- Continuous print capability
- Current and expiration time and date coding
- 9.8-foot (3 m) printhead umbilical
- Bar code printing
- QWERTY keypad
- Simple push button operation
- Multi-message storage
- Multi-national character printing
- DIN printing format for cables
- Tower print format for extrusions and cables
- Length marking facility

Print Speed

- Up to 1778 characters/sec./line (standard)
- Up to 2133 characters/sec.line (high speed option)

Fonts

5 x 5, 7 x 5, 9 x 6 (HS), 12 x 8, 16 x 11, 19 x 14, 24 x 17

Print Height

- 0.08 to 0.32 inches (2 to 8 mm)
- Optimum throw distance 0.56 inches (14 mm)

Electrical Requirements

- 110/230 VAC, 50/60 Hz
- 200VA

Environment

- Temperature range 41°F - 113°F (5°C - 45°C)
- Humidity up to 90% non-condensing

Inks

A range of pigmented inks including white, yellow, blue and black

Data Input

- Shaft encoder
- Product detector NPN/PNP
- RS232C serial port

Options

- Stainless steel base
- IP66 cabinet
- 90 degree printhead
- Alarm outputs
- Visual status indicators
- Remote print message selection
- ECC 200 data matrix 2D bar code
- RS485 / 20mA Loop
- Air dryer kit

Videojet TotalSource® Service

The **TotalSource** program is the finest and most complete technical support system in the business. These services include everything from expert applications assistance, operator training and a full spectrum of maintenance services. The **TotalSource** program ensures total customer satisfaction. **Support when you need it**



© 2004 Videojet Technologies Inc. – All rights reserved.
Videojet Technologies Inc.'s policy is one of continued product improvement. We reserve the right to alter design and/or specifications without notice. Videojet and TotalSource are registered trademarks of Videojet Technologies Inc.



This information is provided by
JETEC Corporation
2817 McGaw • Irvine • CA 92614 • Phone: 949-477-6161 • Fax: 714-755-5950 • Web: www.jetec.com
Shop Online, Click Here