



Videojet 46m

Small Character Ink Jet Printer

We Build Confidence...

In Small Character Ink Jet Printing

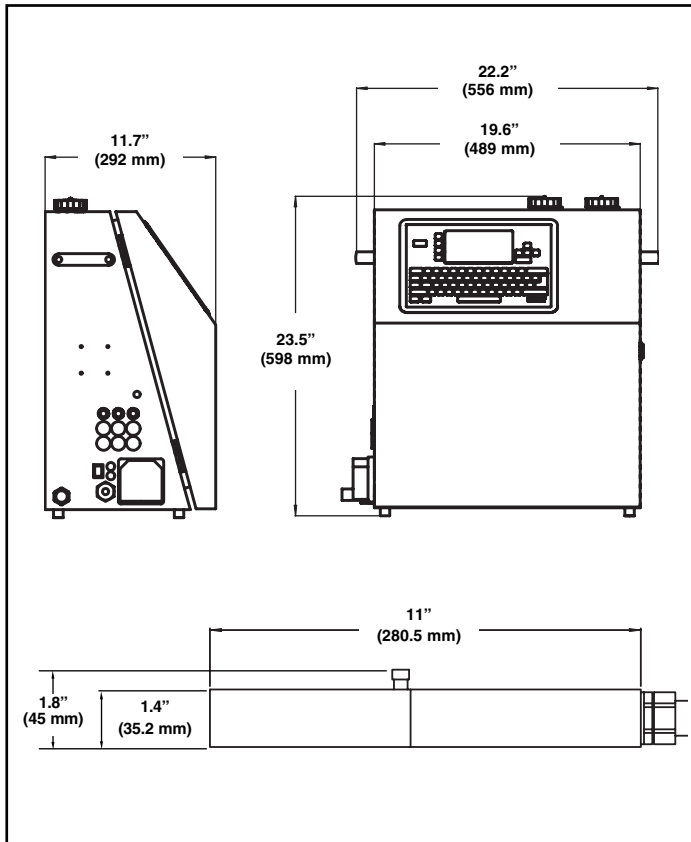
The Videojet® 46m printer provides high speed, high quality printing, reliability and reduced running costs. This high speed airless printer is particularly suitable for coding small components like electronic parts, medical parts, and cables.

- *Print as small as 0.032 inches (0.8 mm) high*
- *Print speed up to 1,111 feet per minute (5.5 m/sec.)*
- *No need for factory air*
- *Up to 4 lines of print*
- *Push button stop/start with automatic printhead flushing*
- *Stainless steel IP54 cabinet*
- *Reduced consumable usage*
- *Fully compatible with Connector software*



Get confident. Contact us today.

Dimensions



Specifications

Standard Features

- Up to 4 lines of code
- Automatic printhead flushing during start up and shut down
- Local language message editing and display
- Low solvent consumption
- IP54 stainless steel enclosure
- Shift coding
- Maintenance due indicator
- Simple WYSIWYG message creation
- Logo and graphics creation
- Password protection system
- Serializer
- Continuous print capability
- Current and expiration time and date coding
- 9.8-foot (3 m) printhead umbilical
- Bar code printing
- QWERTY keypad
- Simple push button operation
- Multi-message storage
- Multi-national character printing
- DIN printing format for cables

Print Speed

Up to 3333 characters/sec./line

Fonts

5 x 5, 7 x 5 (HS), 7 x 5, 9 x 6, 12 x 8, 16 x 11, 19 x 14, 24 x 17

Print Height

- 0.032 to 0.192 inches (0.8 to 4.8 mm)
- Optimum throw distance 0.36 inches (9 mm)

Electrical Requirements

- 110/230 VAC, 50/60 Hz
- 200VA

Environment

- Temperature range 41°F - 113°F (5°C - 45°C)
- Humidity up to 90% non-condensing

Inks

A range of inks, including low environmental impact and substrate-specific, for a variety of applications and industries.

Data Input

- Shaft encoder
- Product detector NPN/PNP
- RS232C serial port

Options

- Stainless steel base
- IP66 cabinet
- Printhead positive air kit
- 90 degree printhead
- Alarm outputs
- Visual status indicators
- EC 200 data matrix 2D bar code
- Remote print message selection
- Tower printing format for extrusions and cables
- LAN port RS485 / 20mA Loop
- Air dryer kit

Videojet TotalSource® Service

The **TotalSource** program is the finest and most complete technical support system in the business. These services include everything from expert applications assistance, operator training and a full spectrum of maintenance services. The **TotalSource** program ensures total customer satisfaction. **Support when you need it**



© 2004 Videojet Technologies Inc. – All rights reserved. Videojet Technologies Inc.'s policy is one of continued product improvement. We reserve the right to alter design and/or specifications without notice. Videojet and TotalSource are registered trademarks of Videojet Technologies Inc.



This information is provided by
 JETEC Corporation
 2817 McGaw • Irvine • CA 92614 • Phone: 949-477-6161 • Fax: 714-755-5950 • Web: www.jetec.com
 Shop Online, Click Here

Part No. SL000389
 46m-0104-US
 Printed in U.S.A.